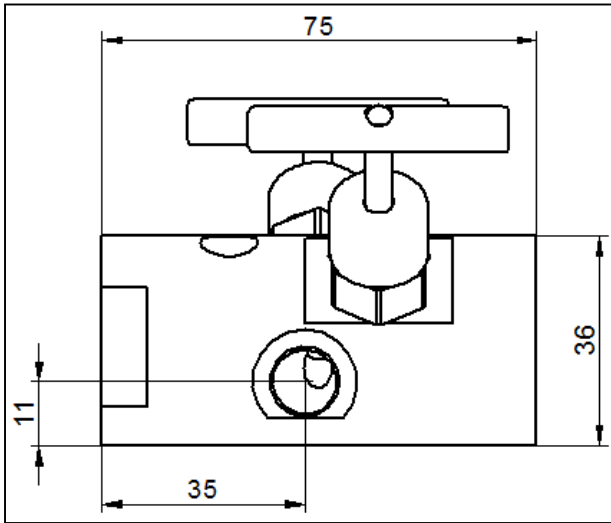
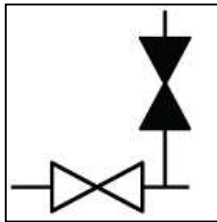


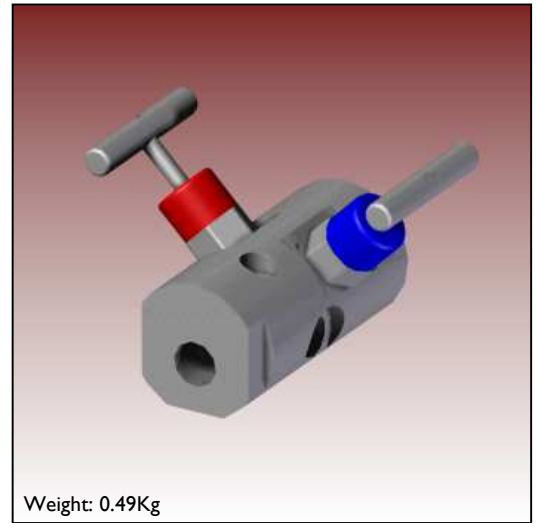
Dimensional Drawing



Schematic



Rendering



NV0404F02M5V6K

NV04	Block and Bleed Manifold	Model Code
04	1/4"	Nominal Pipe Size
F	Female NPT	Connection Type
	1/4 Female NPT	Vent Connection
02	UNS S31600 / S31603 Stainless Steel	Material
M	Metal Ball	Tip Style
5	5mm Bore	Bore Size
V	Viton Elastomer -20°C to +180°C	Seal Arrangement
6K	6,000 psi / 414 bar Maximum Cold Working Pressure	Pressure Rating
	Standard Handle	Handle
	Standard Vent	Anti Tamper Vent
	Open Vent	Plugged Vent
	Standard FAT	FAT
NV04 04 F 02 M 5 V 6K		Model Number

This is a bespoke datasheet. For further details on the complete range, please refer to catalogue: Instrumentation Products Ball and Needle Valves