

# MTL3046B REPEATER POWER SUPPLY, 4/20mA for 'smart' transmitters

The MTL3046B performs a similar function to the MTL3041, but is tailored for use with 'smart' transmitters whose digital communication signals are superimposed on a standard 4/20mA analogue signal. The unit provides a minimum of 15V at 20mA to energise the transmitter while at the same time repeating the current accurately in a separate circuit to drive a load in the safe area. The transmitter can be calibrated, interrogated or tested from the host computer, or by using a hand-held communicator connected in either the safe or hazardous area. The MTL3046B is a development of the MTL3046, which it replaces, and it is compatible with the majority of 'smart' transmitters available.

## SPECIFICATION

See also 'Common specification'

### Number of channels

One, fully floating

### Location of transmitter

Zone 0, IIC, T4-6 hazardous area if suitably certified  
Div 1, Group A, hazardous location

### Voltage available for transmitter and lines

15V minimum at 20mA

Note: maximum open-circuit voltage is 28V

### Maximum permitted line resistance

$[(15 \text{ minus transmitter voltage requirement}) \times 50] \Omega$

### Input and output signal range

4 to 20mA with superimposed digital signal

### Digital signal bandwidth (safe area to hazardous area)

10Hz to 8kHz

### Digital signal bandwidth (hazardous area to safe area)

dc to 10kHz

### Input resistance (terminals 6 & 8)

$\leq 30\Omega$  (600mV at 20mA)

### Safe-area circuit load resistance

20 to 750 $\Omega$  (250 $\Omega \pm 10\%$  for digital communications)

### Safe-area circuit output resistance

$> 1M\Omega$

### Safe-area circuit ripple

$< 160\mu\text{A}$  peak-to-peak

### DC transfer accuracy at 20°C

Better than 20 $\mu\text{A}$

### Temperature drift

$< 1\mu\text{A}/^\circ\text{C}$

### Response time

Settles to within 10% of final value after typically 40 $\mu\text{s}$

### Power requirement

85mA typically at 24V with 20mA signal

75mA at 35V to 125mA at 20V with 20mA signal

### Power dissipation within unit

1.7W typical at 24V with 20mA signal

2.3W maximum at 35V with 20mA signal

### Replaceable fuse

200mA, 5x20mm glass to DIN 41571 sht.2, semi-time-lag (M)

### Safety description

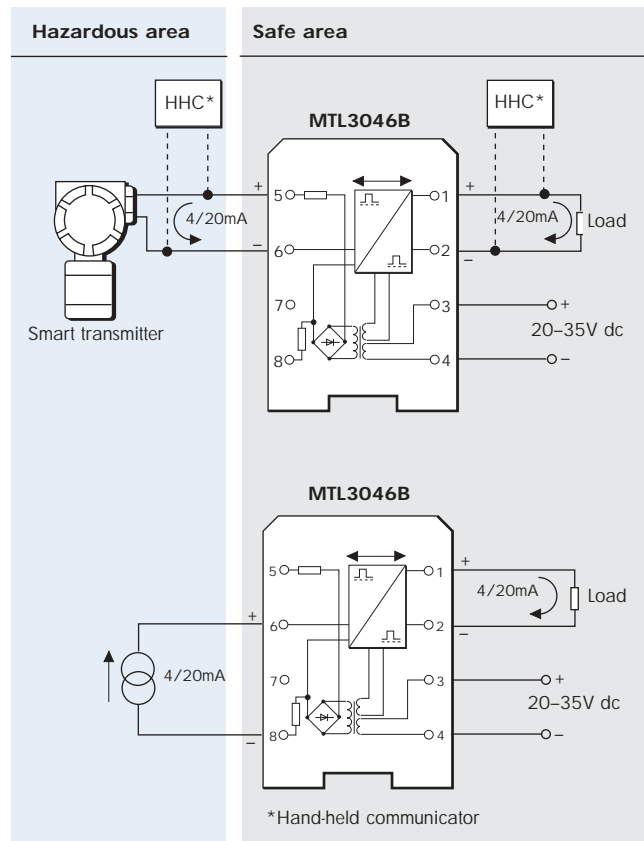
#### Terminals 5 & 6

28V, 300 $\Omega$ , 93mA,  $U_m = 250\text{V}$  rms or dc

#### Terminals 6 & 8

Non-energy storing apparatus –  $\leq 1.2\text{V}$ ,  $\leq 0.1\text{A}$ ,  $\leq 20\mu\text{J}$  and  $\leq 25\text{mW}$ . Can be connected without further certification into any IS loop with open-circuit voltage not more than 28V.

Note: Terminals 6 & 8 do not support bi-directional transmissions for HART<sup>®</sup> devices.



## FM max entity parameters

Terminals 5 & 6:  $V_{OC} = 28\text{V}$ ,  $I_{SC} = 93\text{mA}$ ,  $C_a = 0.13\mu\text{F}$ ,  $L_a = 4.0\text{mH}$

Terminals 6 & 8:  $V_{OC} = 1.2\text{V}$ ,  $I_{SC} = 100\text{mA}$ ,  $C_a = 1000\mu\text{F}$ ,  $L_a = 3.75\text{mH}$

## Weight

170g

## OTHER APPLICATIONS

Although designed for 'smart' transmitter applications, the MTL3046B operates with standard analogue 4/20mA transmitters, and therefore can be especially useful if upgrading later to 'smart' transmitters.

The MTL3046B can be used to repeat a current generated by hazardous-area equipment in an existing barrier-protected safe-area circuit, to provide a fully isolated output with a high load handling capability.

The MTL3046B operating with an MTL3045 can pass measurement and control signals through a hazardous area separating two safe areas (see MTL3045).

The frequency response of dc to 10kHz (hazardous to safe area) makes the MTL3046B ideal for some flowmeter applications such as vortex and turbine meters.



EUROPE (EMEA)  
AMERICAS  
ASIA PACIFIC  
E-mail: enquiry@mtl-inst.com

Tel: +44 (0)1582 723633  
Tel: +1 603 926 0090  
Tel: +65 487 7887

Fax: +44 (0)1582 422283  
Fax: +1 603 926 1899  
Fax: +65 487 7997

Web site: www.mtl-inst.com