

## Series 232P Pressure Switch/Internal Adjustment

Compact, adjustable pressure switch for high pressure hydraulic process applications. Efficient Nega-Rate® Belleville disc spring for set point stability and vibration resistance.

### Operating Pressure Data

Adjustable Range Number	Adjustable Set Point Range		Deadband (approximate)	Maximum Recommended System Pressure	Proof Pressure
	Increasing	Decreasing			
1	50 to 275	25 to 250	25	5000	7500
2	200 to 1000	75 to 875	125	6500	9750
3	1000 to 3100	700 to 2800	300	6500	9750
4	2800 to 6000	2300 to 5500	500	10000	13500
5	5500 to 8500	4900 to 7900	600	10000	13500
6	7000 to 10000	6000 to 9000	1000	12500	15000

All values given in psig.

### Standard Specifications

#### Electrical

Snap action electrical switch listed by Underwriters' Laboratories, Inc. and CSA International

#### Electrical Connection

1/2 NPT male conduit connection with PVC insulated 18 AWG, 18" long leads

#### Pressure Connection

1/4 NPT Female

#### Temperature Range\*

Ambient:

-40°F to +180°F  
(-40°C to +82°C)

Media:

-40°F to +250°F  
(-40°C to +121°C)

\* Temperature limits change with O-Ring selection

#### Adjustment

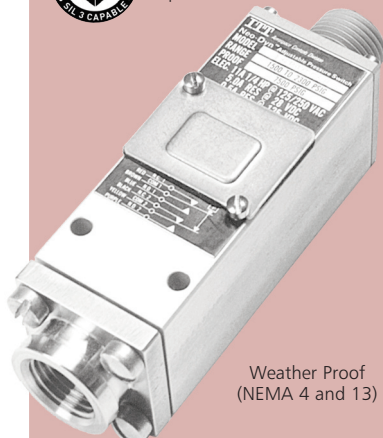
Internal, slotted adjustment nut with range scale

#### Shipping Weight

Approximately 20 ounces



Order Miscellaneous Option "D"



Weather Proof (NEMA 4 and 13)

### Ordering Sequence — Select desired option for each category

#### OPTIONS

##### Wetted Material

**4** 316 stainless steel port and piston, Buna-N O-Ring

##### Adjustable Range

**1** 25 psig dec. to 275 psig inc. (1.7 bar dec. to 19.0 bar inc.)  
**2** 75 psig dec. to 1000 psig inc. (5.2 bar dec. to 69.0 bar inc.)  
**3** 700 psig dec. to 3100 psig inc. (48.3 bar dec. to 213.7 bar inc.)  
**4** 2300 psig dec. to 6000 psig inc. (158.6 bar dec. to 413.7 bar inc.)  
**5** 4900 psig dec. to 8500 psig inc. (337.9 bar dec. to 586.1 bar inc.)  
**6** 6000 psig dec. to 10000 psig inc. (413.7 bar dec. to 689.5 bar inc.)

##### Electrical Form

**C** 11 amp, 1/4 hp at 125 or 250 VAC; 5 amp resistive, 3 amp inductive at 28 VDC; .5 amp resistive at 125 VDC  
**CC** 11 amp, 1/4 hp at 125 or 250 VAC; 5 amp resistive, 3 amp inductive at 28 VDC; .5 amp resistive at 125 VDC

##### Enclosure

**3** Meets or exceeds the requirements of NEMA Type 3, 3R, 3S, 4, 4X and 13, IP65

##### Miscellaneous

**A** Epoxy paint exterior — extra protection for severe environments  
**B** Viton O-Ring  
**C** EPR O-Ring  
**D** SIL approval and marking, per IEC61508 (includes FMEA report)  
**E** 7/16" - 20 SAE Port  
**G** 1/2 NPT Female Port  
**H** 316 stainless steel body  
**I** 1/2 NPT conduit box with terminal strip  
**J** Annealed stainless steel port screws for H<sub>2</sub>S environments — Consult factory (Not available with range 4,5 & 6)  
**M** Gold electrical contacts for extremely low current applications (1 Amp at 125 VAC; 1 Amp Res, 0.5 Amp Ind. at 28 VDC)  
**R** 72" Electrical free leads  
**U** M20 x 1.5 Electrical Conduit Adapter  
**X** CE Mark

##### Special (Consult representative or factory)

• Non-catalog adjustable range and/or set point, deadband and proof pressure

### Ordering Procedure

- When factory presetting is desired, stipulate set point, increasing or decreasing
- Insert available option number or letter designation as required

### Example

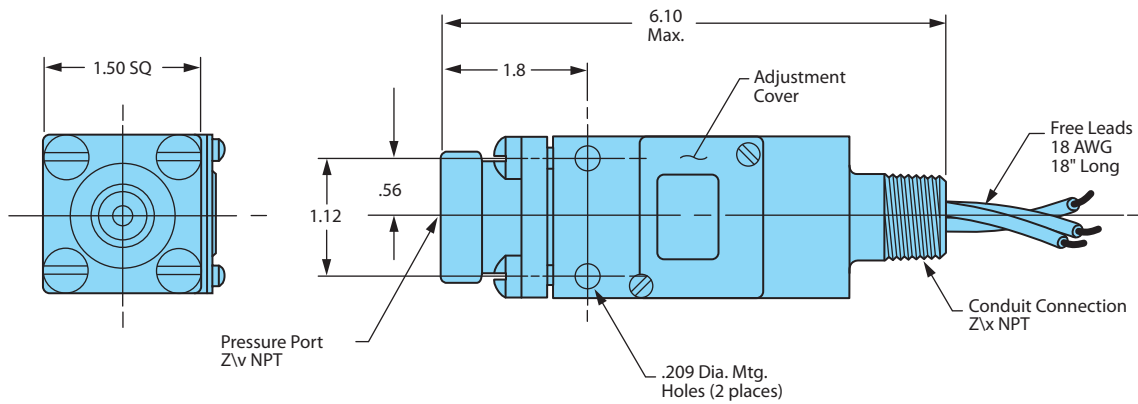
Series  
 Wetted Material  
 Adjustable Range  
 Electrical Form (specify)  
 Enclosure  
 Miscellaneous

232P 42 CC 3

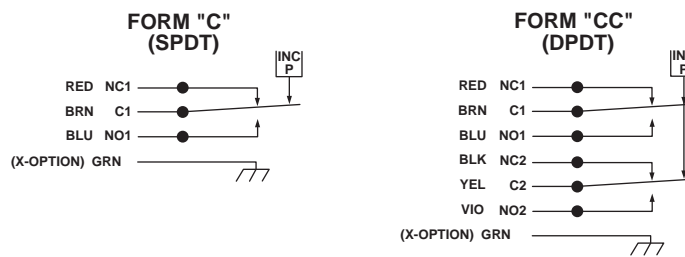
# Series 232P Pressure Switch/Internal Adjustment

Field Adjustable  
25 to 10000 psig

## Envelope Dimensions



## Electrical Form



## Basic Principles of Design

