

Model ICO3S 1/4" 3/2 UNI

Direct acting solenoid valve

High flow

Max inlet pressure 12 bar (174 psi)

A direct acting solenoid operated valve for the control of pneumatic or hydraulic operated equipment

Reliable and long life, ideal for a one time installation

ATEX, CSA, GOST K & R, IECEX and NEMA 4X

Technical features

Maximum inlet pressure: 12 bar (174 psi)

Flow rates:

$C_v = 0.6$ USgpm for 1 psi Δp

$K_v = 8.64$ l/min for 1 bar (15 psi) Δp

Temperature ratings:

Media (min/max -50°C/90°C (-58°F/194°F))

Ambient (min/max -50°C/60°C (-58°F/140°F))

Valve size: 1/4" poppet valve

Process connections: 1/4" NPT, 1/4" BSP

Conduit connection:

M20 x 1.5 conduit thread, 1/2" NPT

Signal connection: 1/4" NPT

Media: Liquid & gases

Weight: 2.5 kg

Materials:

Solenoid pot - stainless steel - BFC 316

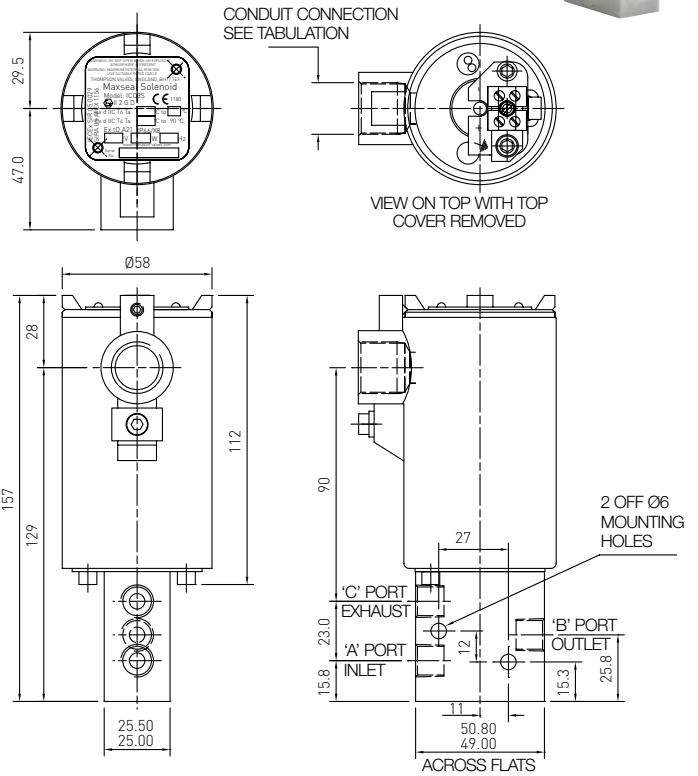
Top cover - stainless steel - BFC 316

Valve body & trim materials -

316 stainless steel - 316L stainless steel

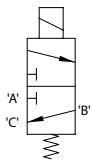
O-rings & seals - nitrile (NBR)

Coil insulation - class H



Profile and dimensions mm

ICO3S 1/4" 3/2 AUTO

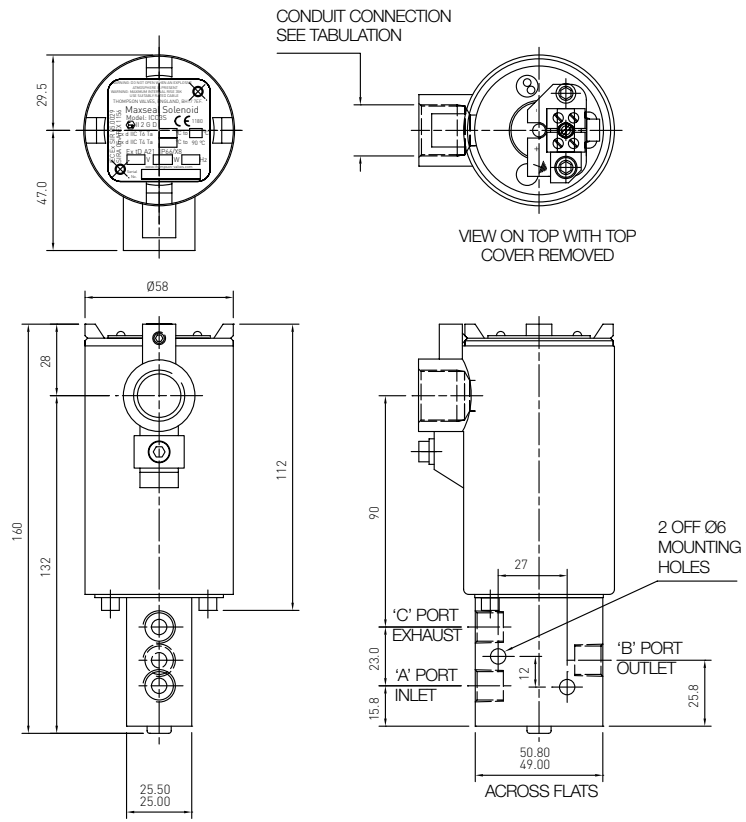
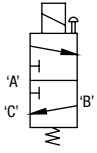


Valve part number breakdown

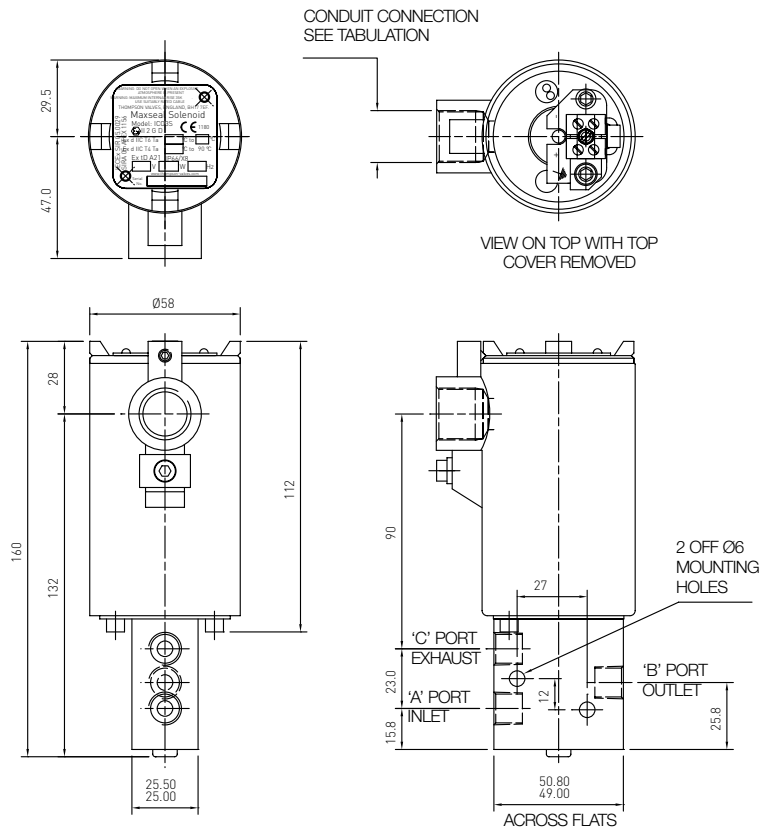
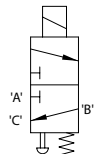
★ ★ 13 ★ ★ ★ ★ ★ ★ ★ ★ ★ ★

Model	Substitute	Body / trim materials	Substitute
ICO3S Ex d	Y0	316 SS / 316 SS	S
ICO3S Ex mbe	YZ	316L SS / 316L SS	T
ICO3S Ex ia	YX	Voltage	Substitute
Operating pressure	Substitute	24V DC	B
0-12 bar	1	50V DC	C
Port config.	Substitute	110V DC	D
3/2 UNIVERSAL	3	125V DC	E
Operation	Substitute	220 / 240V DC	F
Automatic	A	24V AC	G
PBMO	C	110V AC	J
PBMR	P	220 / 240V AC	M
Process conn.	Substitute	120V AC	T
1/4" NPT	A1	Conduit connection	Substitute
1/4" BSPP	E1	M20 x 1.5	1
		1/2" NPT	2
		Seat / seal materials	Substitute
		Nitrile	H
		FKM	V

ICO3S 1/4" 3/2 PBMO



ICO3S 1/4" 3/2 PBMR



Profile and dimensions mm